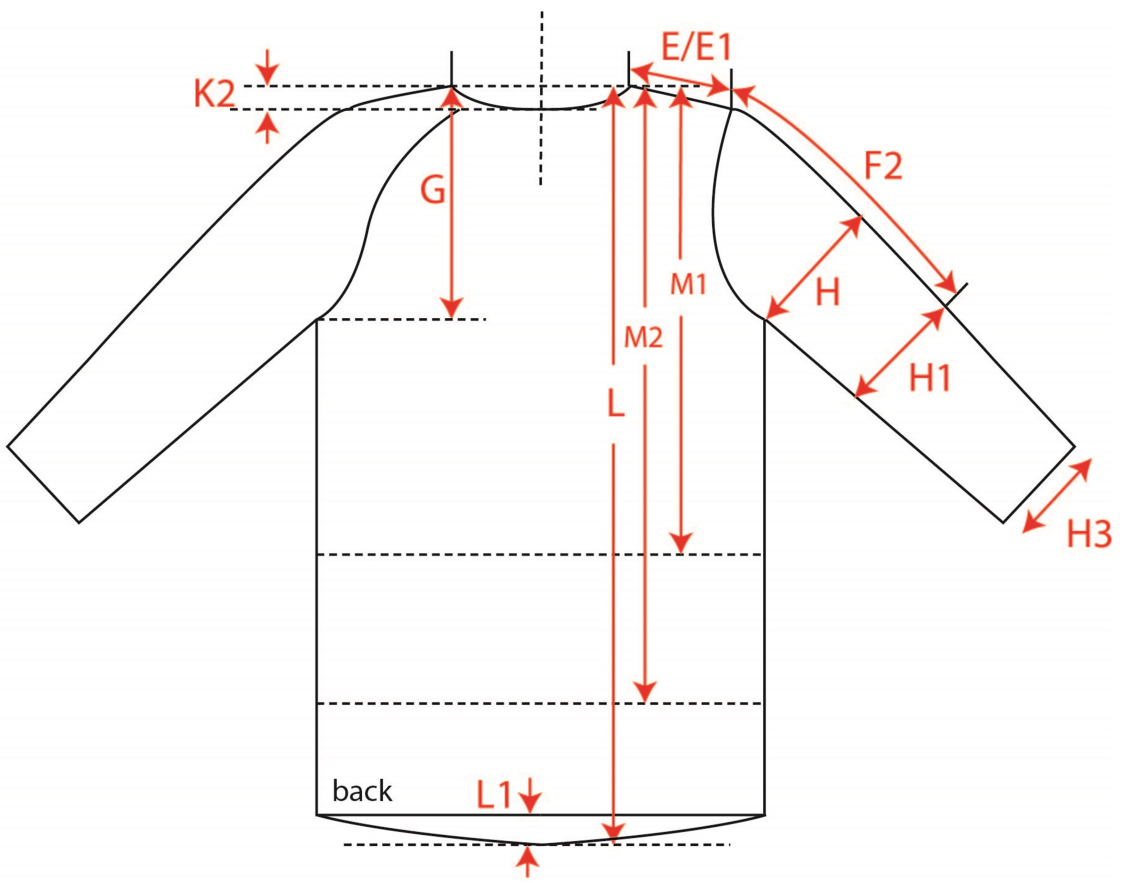
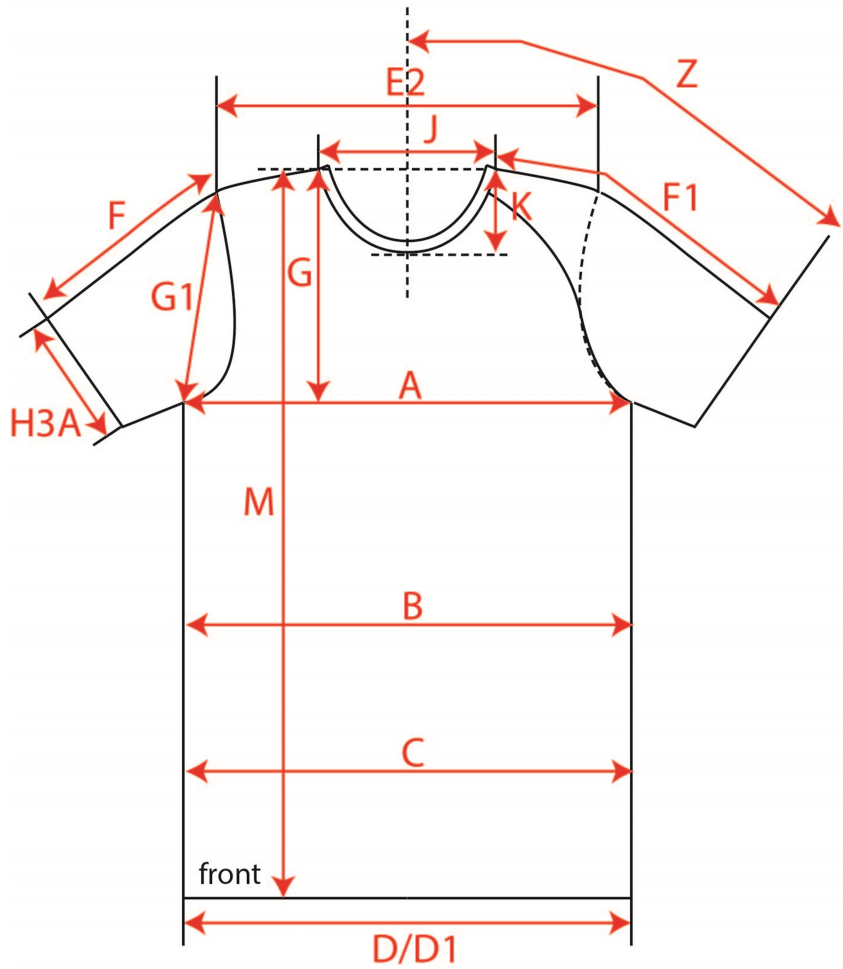


Measurement Sketch

ORDER	SEASON	CLIENT	BRAND
	FW22	n/a	Urban Classics
STYLE CODE	STYLE NAME	GENDER	SUPPLIER
TB4007	Ladies Flanell Padded Overshirt	Female	72504



Style Measurement View for Client



ORDER	SEASON	CLIENT	BRAND
	<i>FW22</i>	<i>n/a</i>	<i>Urban Classics</i>
STYLE CODE	STYLE NAME	GENDER	SUPPLIER
<i>TB4007</i>	<i>Ladies Flanell Padded Overshirt</i>	<i>Female</i>	<i>72504</i>

Basic Measurement Chart Base Size

-	Measurements (values)	XS	S	M	L	XL	XXL	3XL	4XL	5XL	Tol. +/-	Comment
M	front length from HSP	69,9	72,0	74,1	76,2	78,3	79,7	81,1	82,5	83,9		
A	1/2 chest width	58,5	61,0	63,5	66,0	68,5	72,5	76,5	80,5	84,5		
D	1/2 hem width	57,5	60,0	62,5	65,0	67,5	71,5	75,5	79,5	83,5		
F	sleeve length from shoulder (set in)	51,0	51,5	52,0	52,5	53,0	53,5	54,0	54,5	55,0		